

VID Series Product-REFLOW MODULE

PATENT: ZL200420084199.2

General Description

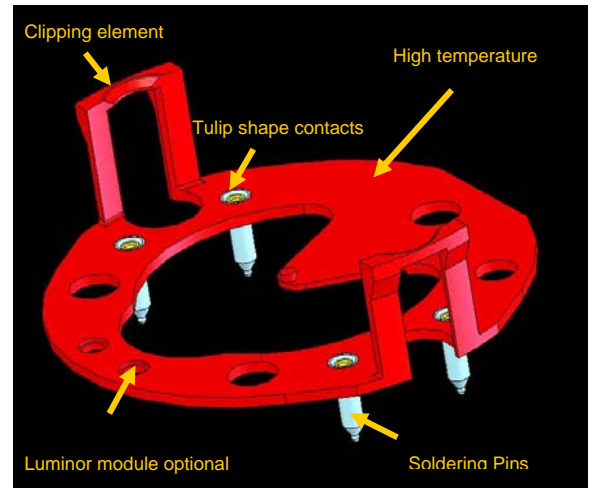
RM is an additional module for clusters motors VID29-xx. This accessory allows the assembly of the motor in the PCB avoiding a manual soldering of the electric pins.

Special material of body and coating of electric pins, allows a lead free Reflow process.

The special shape of body and electric pins allows the system to pass all the automotive test inclusive vibration and shock tests.

RM is a solution for cost reduction and quality improvement.

.

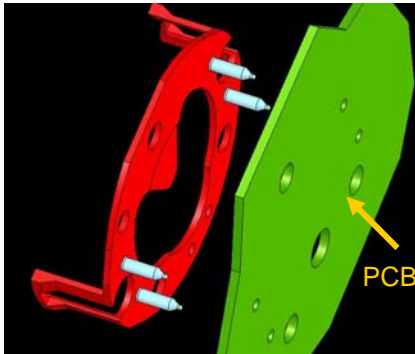


Features

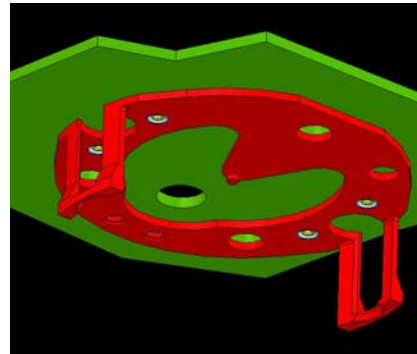
- Assembly of VID motors using Reflow soldering oven
- Assembly of motor on PCB by clipping
- Easy disassembling of motors from defective electronic boards
- Reliable electric contact by tulip shape pins

Assembly procedure

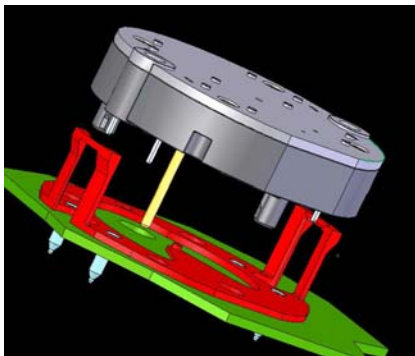
I Module



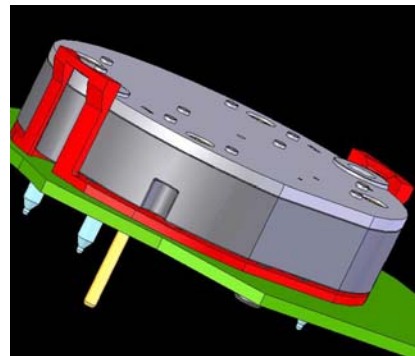
II Reflow process



III Motor positioning



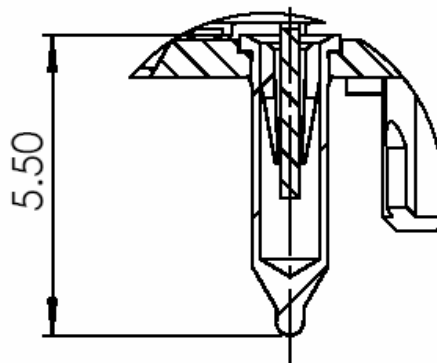
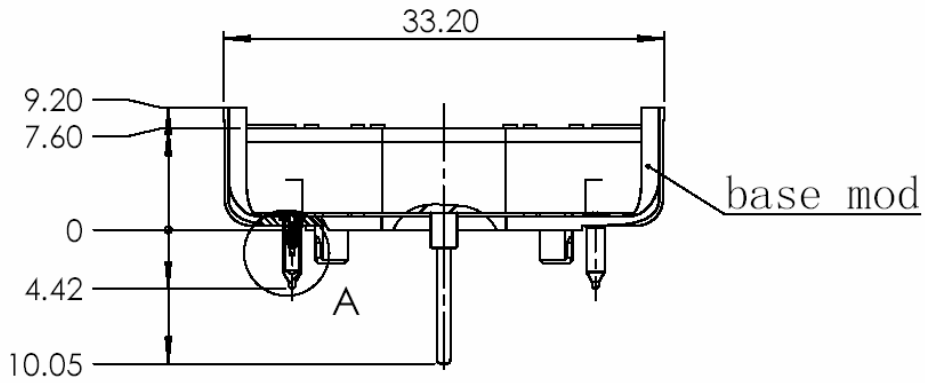
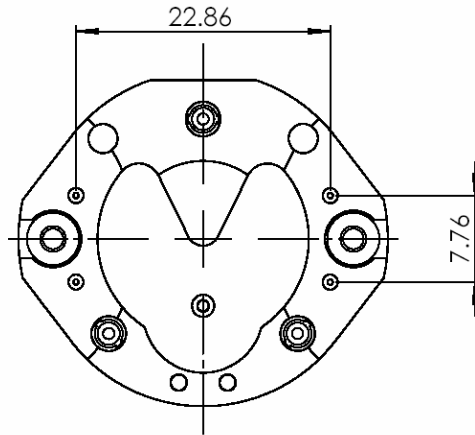
IV Motor clipping



A Company of Wellgain Group

Drawing

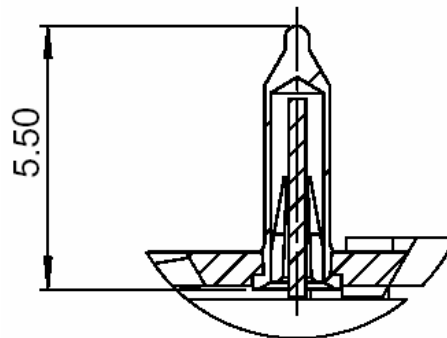
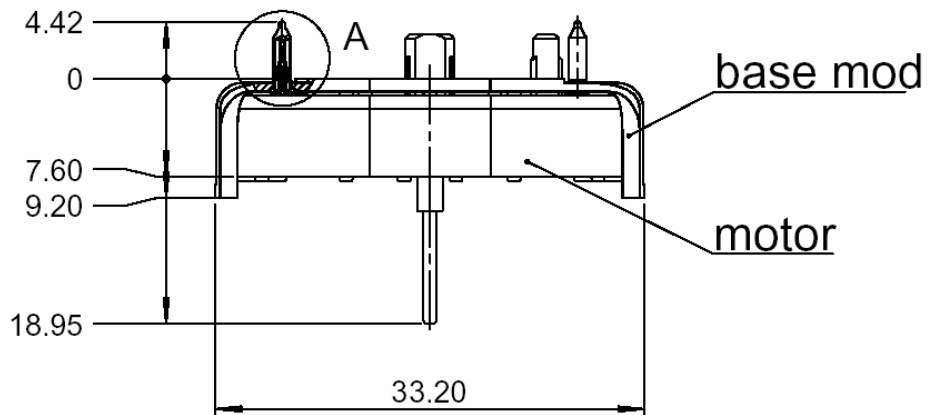
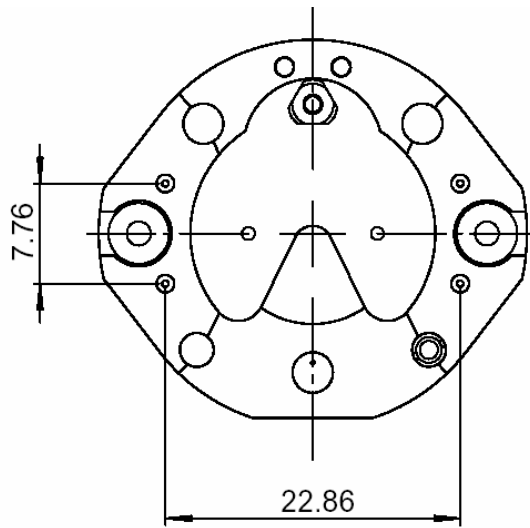
Motor Rear Mounting



Partial View:A
Scale 6:1

VID29-05P Reflow Module

A Company of Wellgain Group
Motor Front Mounting



Partial View A
Scale 6 : 1

VID29-02P Reflow