

SPECIFICATIONS

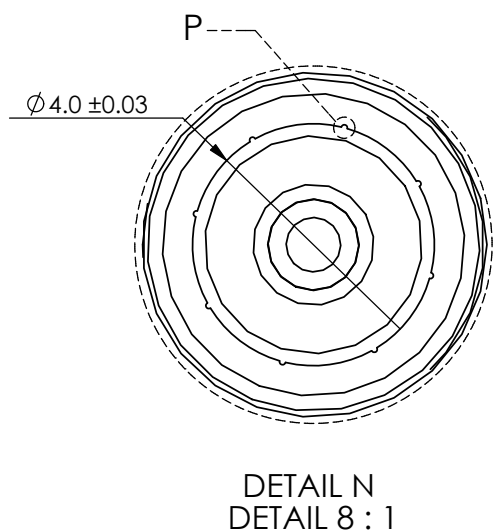
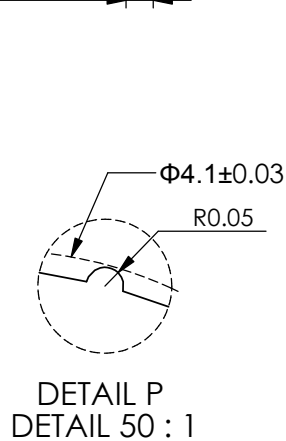
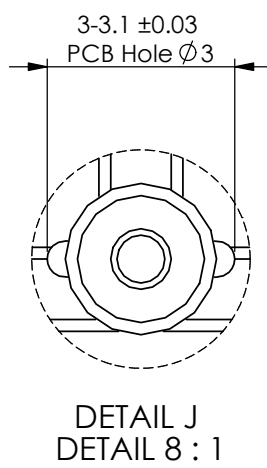
1.Housing:
 -Material: PC
 -Color:black
 -Hold Force Clips: 85N max.

2.Outer Shaft:
 -Material: POM
 -Axial Force (Push) : 60N max.
 -Axial Force (Pull) : 60N max.
 -Radial Force:max.:5N max.
 -External Torque: 25mNm max.

3. Metal Shaft:
 -Material: Stainless Steel
 -Axial Force (Push) :180N max.
 -Axial Force (Pull) : 90N max.
 -Radial Force: 13N max.
 -External Torque: 40mNm max.

4.Electric contancts:
 -Material: Copper Alloy
 -Coil resistance: 280±20Ω

版本
A/1
生效日期
2007.1.19
软盘号
档案号
签字
日期



Product Name:		Double Shaft Motor	
Production No.		Created	Guan 22/2/2007
VID28-05		Check	Lin 22/2/2007
M6V28005B000000		Release	
		NO tolerance X ±0.1 .X ±0.05 .XX ±0.02 < ±0.5°	

	Dimension in mm
sheet	1/1
size	A3
scale	2:1