

**SPECIFICATIONS:**

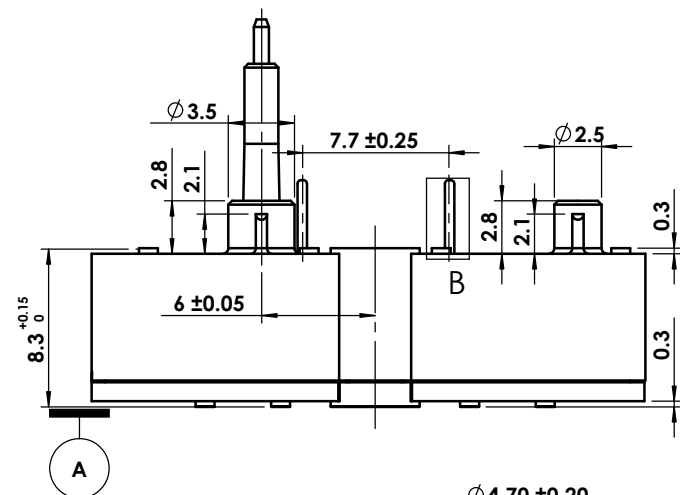
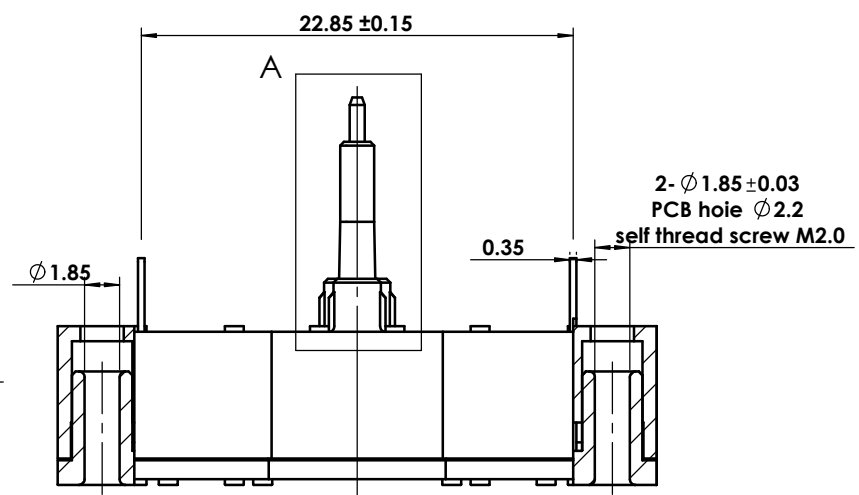
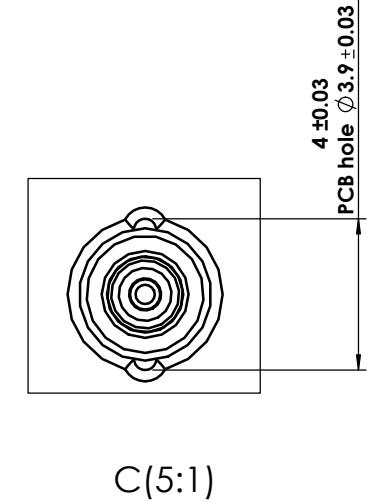
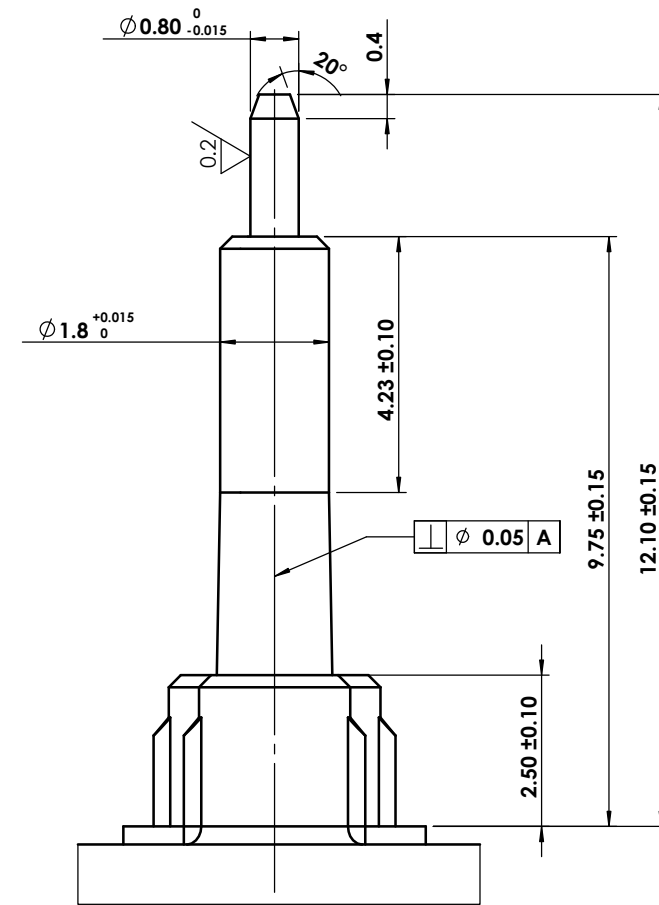
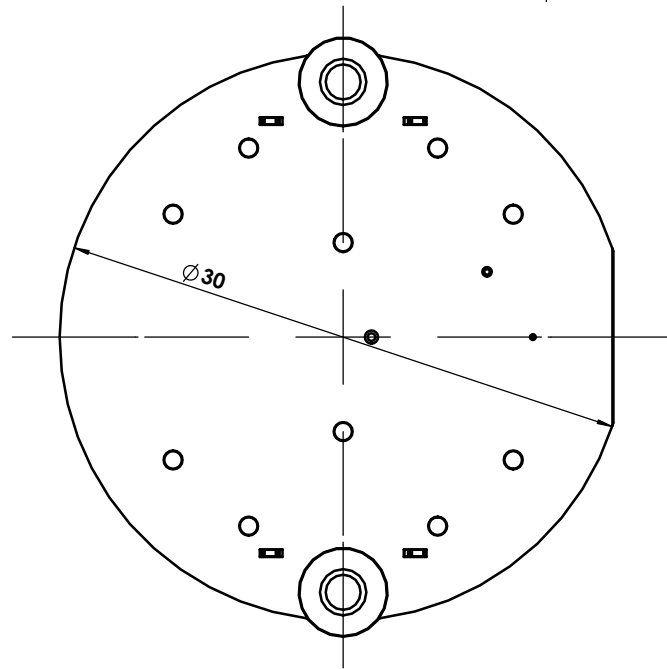
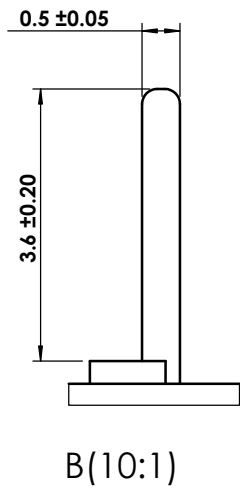
Housing:  
 -Material:PC  
 -Colour:Black  
 -Hold force clips:85N max

Minitue Shaft:  
 -Material:Stainless Steel  
 -Axialforce(stake-on):150N max  
 -Axial pull force:70N max  
 -Radial force:12N max

Hour Shaft:  
 -Material:PC  
 -Axialforce(stake-on):60N max  
 -Axial pull force:60N max  
 -Radial force:5N max

El confaces  
 -Material:Copper Alloy  
 -Coil:el.resistance 260Ω  
 Undim.Radio R0.05~0.10  
 Undim.Chamfered edges 0.30×45°

Product Name:	VID69-02/02P Clock Motor			Unit	mm
Description:			sheet	1/1	Rev. A1
			scale	2.5:1	
			Date of Issued	2007.07.26	
Production No.	Created	XuXW 2007.07.26	 Tolerance unless specified X ±0.3 .X ±0.15 .XX ±0.05 < .X ±1° < .XX ±0.5°		
VID69-02/69-02P	Check	LinBY 2007.07.26			
	Release	Martin 2007.07.26			



A(8:1)

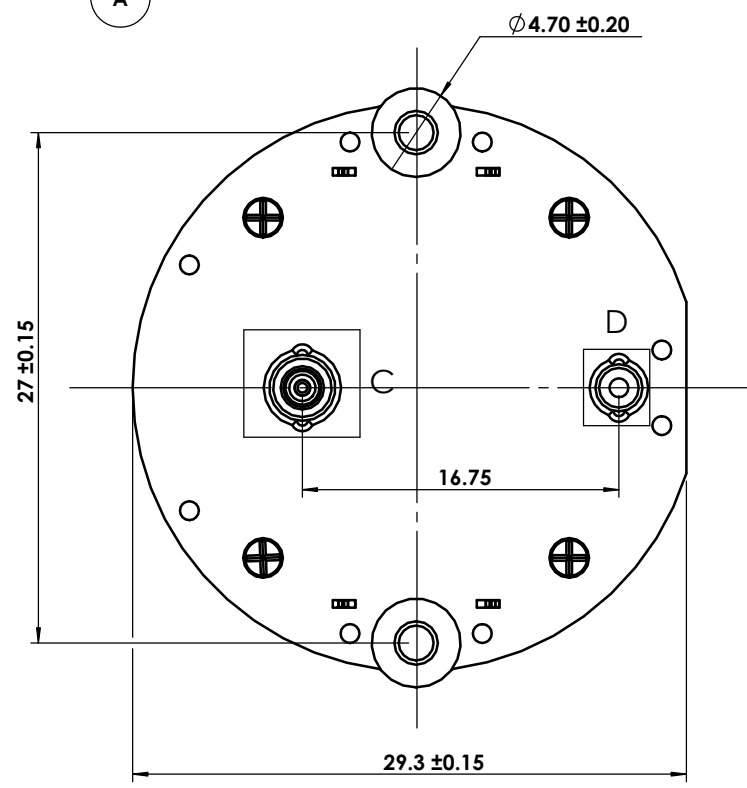
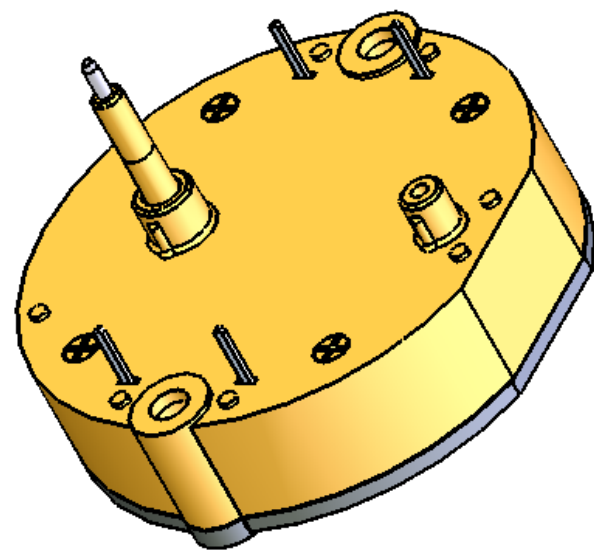
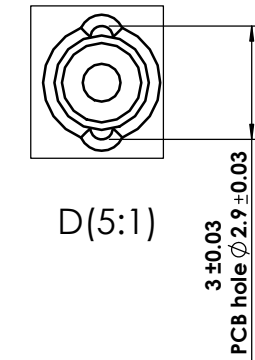
**SPECIFICATIONS:**


Housing:  
-Material:PC  
-Colour:Black  
-Hold force clips:85N max

Minitue Shaft:  
-Material:Stainless Steel  
-Axialforce(stake-on):150N max  
-Axial pull force:70N max  
-Radial force:12N max

Hour Shaft:  
-Material:PC  
-Axialforce(stake-on):60N max  
-Axial pull force:60N max  
-Radial force:5N max

El confaces  
-Material:Copper Alloy  
-Coil:el.resistance 260Ω  
Undim.Radio R0.05~0.10  
Undim.Chamfered edges 0.30×45°



Product Name:	<b>VID69-05/05P Clock Motor</b>		Unit	mm
Description:	sheet	1/1	Rev.	A1
	scale	2.5:1		
	Date of Issued	2007.07.26		
Production No.	Created	XuXW 2007.07.26	Tolerance unless specified  X ±0.3 .X ±0.15 .XX ±0.05 < .X ±1° < .XX ±0.5°	
VID69-05/VID69-05P	Check	LinBY 2007.07.26		
	Release	Martin 2007.07.26		