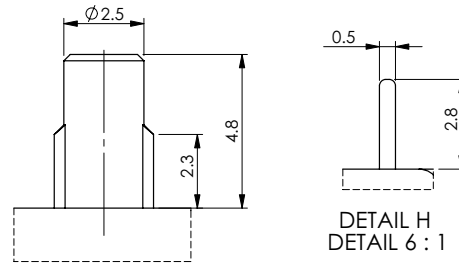
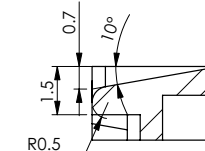


DETAIL L  
DETAIL 6 : 1

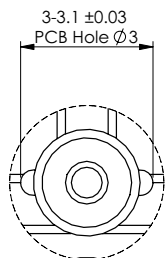
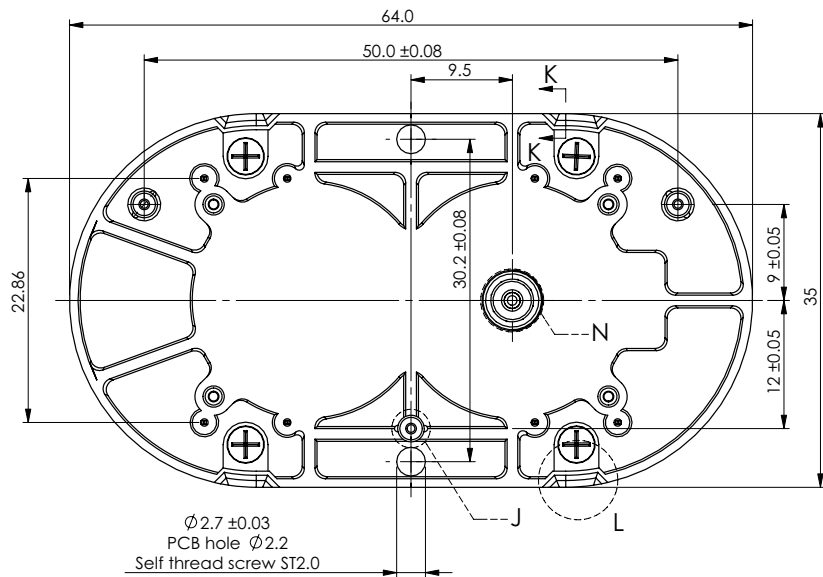


DETAIL I  
DETAIL 6 : 1

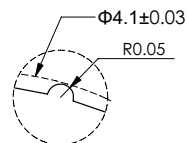
DETAIL H  
DETAIL 6 : 1



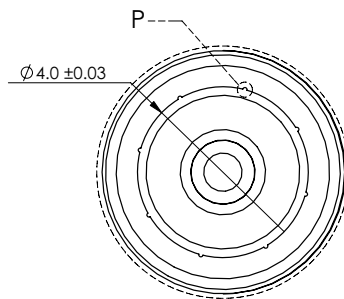
SECTION K-K  
DETAIL 6 : 1



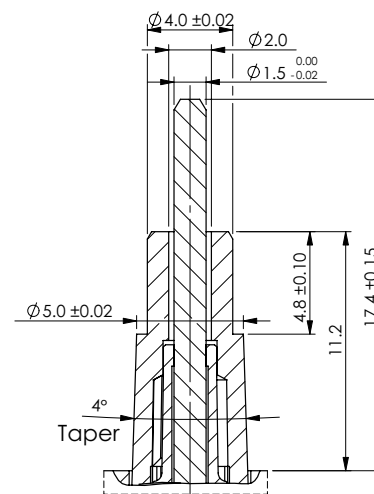
DETAIL J  
DETAIL 8 : 1



DETAIL P  
DETAIL 50 : 1



DETAIL N  
DETAIL 8 : 1



DETAIL M  
DETAIL 4 : 1

**SPECIFICATIONS**

- Housing:**
  - Material: PC
  - Color:black
  - Hold Force Clips: 85N max.
- Outer Shaft:**
  - Material: POM
  - Axial Force (Push) : 60N max.
  - Axial Force (Pull) : 60N max.
  - Radial Force:max.:5N max.
  - External Torque: 25mNm max.
- Metal Shaft:**
  - Material: Stainless Steel
  - Axial Force (Push) :150N max.
  - Axial Force (Pull) : 70N max.
  - Radial Force: 12N max.
  - External Torque: 30mNm max.
- Electric contacts:**
  - Material: Copper Alloy
  - Coil resistance: 280±20Ω

Product Name:		Dimension in mm	
<h1>Double Shaft Motor</h1>		sheet	1/1
		size	A3
		scale	2:1
Production No.	Created	Guan 2/7/2007	
VID28-05	Check	Lin 2/7/2007	
M6V28005B000000	Release		
		ND tolerance	
		X	±0.1
		.X	±0.05
		.XX	±0.02
		∠	±0.5°

