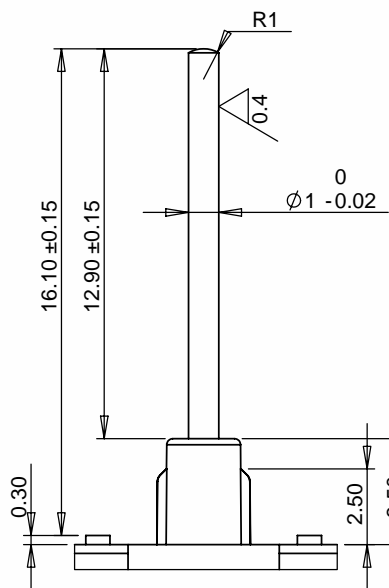
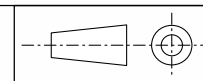
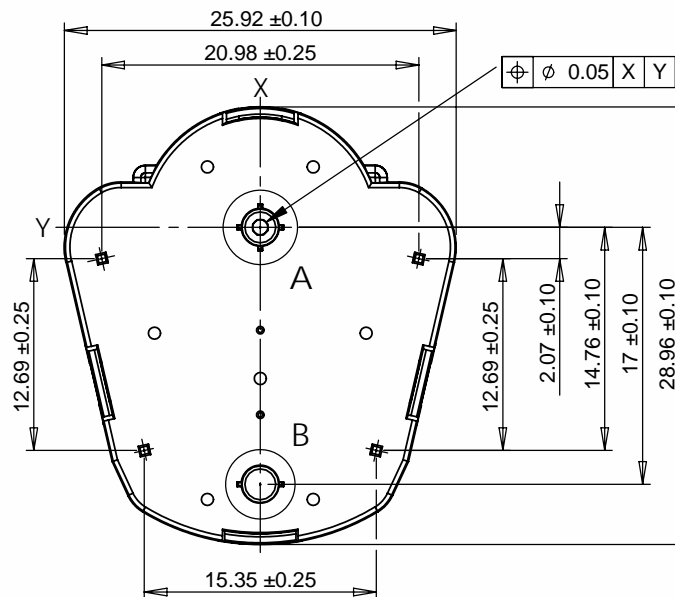
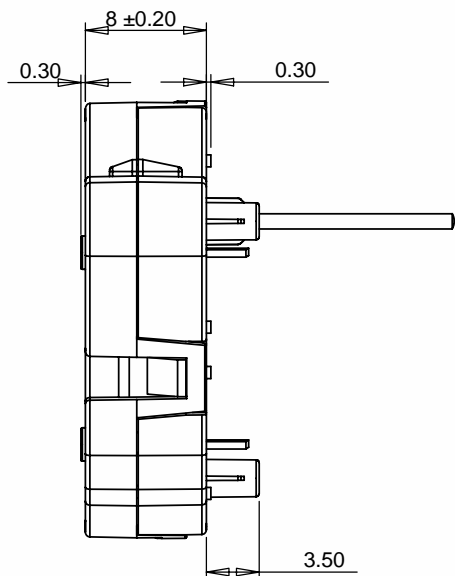
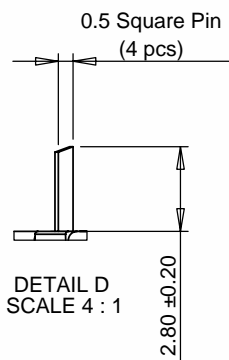


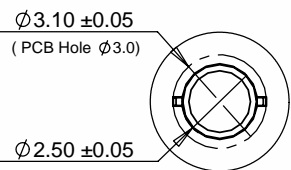
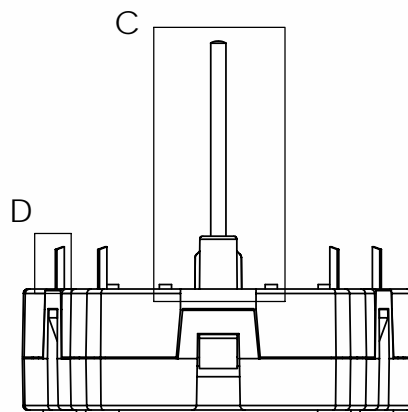
DETAIL A
SCALE 4 : 1



DETAIL C
SCALE 4 : 1



DETAIL D
SCALE 4 : 1




DETAIL B
SCALE 4 : 1

SPECIFICATIONS :

Housing :
- Cover material : PC
- Plate material : PBT

Shaft :
- Material : Stainless Steel
- Axial force (stake-on) : 130N
- Axial pull out force : 60N
- Radial force : 12N
- External torque : 30 mNm max.
- Rotational Angle : 315 max.

Electric Properties :
- Coil Resistance : 225 +/- 15 Ohms
- Electric pin : Tin plated CP wire

Drawing No.	V78-05-ASM-001-V1	Revision	V2	Material		Date of Issue	2010-2-22
Product/Part Name	VID78-05	Product/Part No.		Size	A4	Draw by	LV
Project Title	VID78 Multipolar Motor			Unit	mm	Approve by	MARTIN
 Hong Kong VID Company Limited A member of Wellgain Group				Tolerance unless specified Dimension in mm x.x = +/- 0.5 x.xx = +/- 0.05 Angle in degree x = +/- 1° x.x = +/- 0.5°			