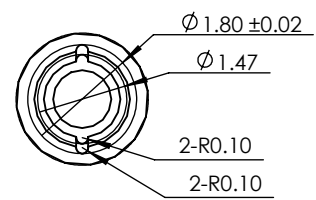
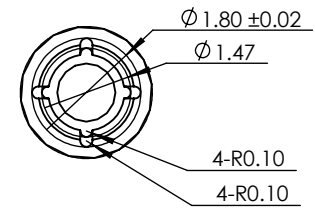


patial B-B
scal 2 : 1



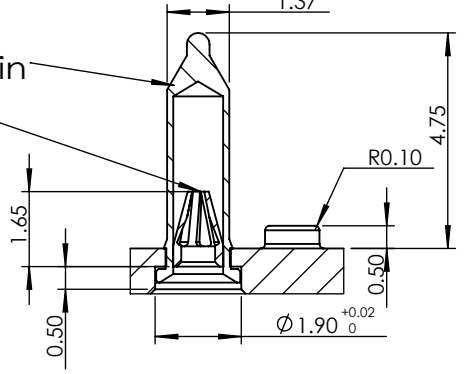
patial C
scale 8 : 1

Solder pin
Claw




patial D
scale 8 : 1

PATIAL A
patial 6 : 1



| | | | | | |
|------|---------|-------------|------------|----------------------|--------------------------------|
| 3 | R050030 | Claw | 4 | CU | Plating Ni50u", Gold 1u" |
| 2 | R050020 | Solder pin | 4 | CUZN | Plating: Ni80u", Sn200u" |
| 1 | R029002 | Base Module | 1 | PA6T(30GF) CH230N | colour:nature |
| Item | PartNo. | Part name | Quantities | Material | Remark |

| | | | | | | | |
|---|---------------|------------------|----------|--|----|---------------|------------|
| Drawing No. | RFM29-08 | Revision | A0 | Material | | Date of Issue | 2022.05.18 |
| Product/Part Name | Reflow module | Product/Part No. | RFM29-08 | JDE No. | | Size | A4 |
| Project Title | RFM29-08 | | | Unit | mm | Approve by | |
|  | | | | Tolerance unless specified Dimension in mm x.x = +/- 0.10 x.xx = +/- 0.03 Angle in degree x.x = +/- 1° x.xx = +/- 0.5° | | | |