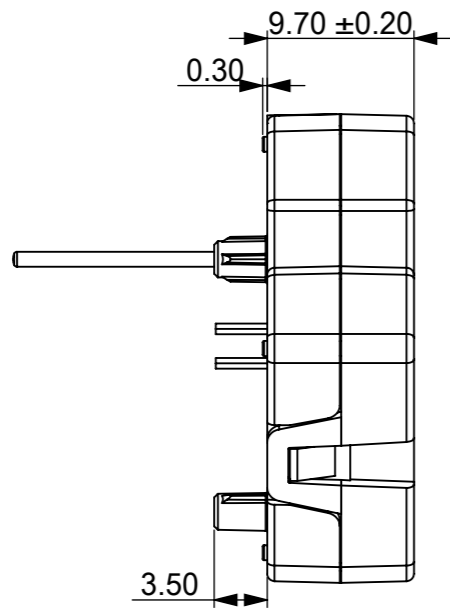
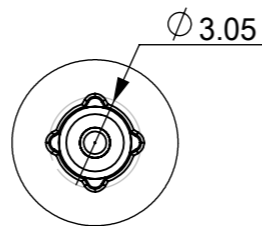
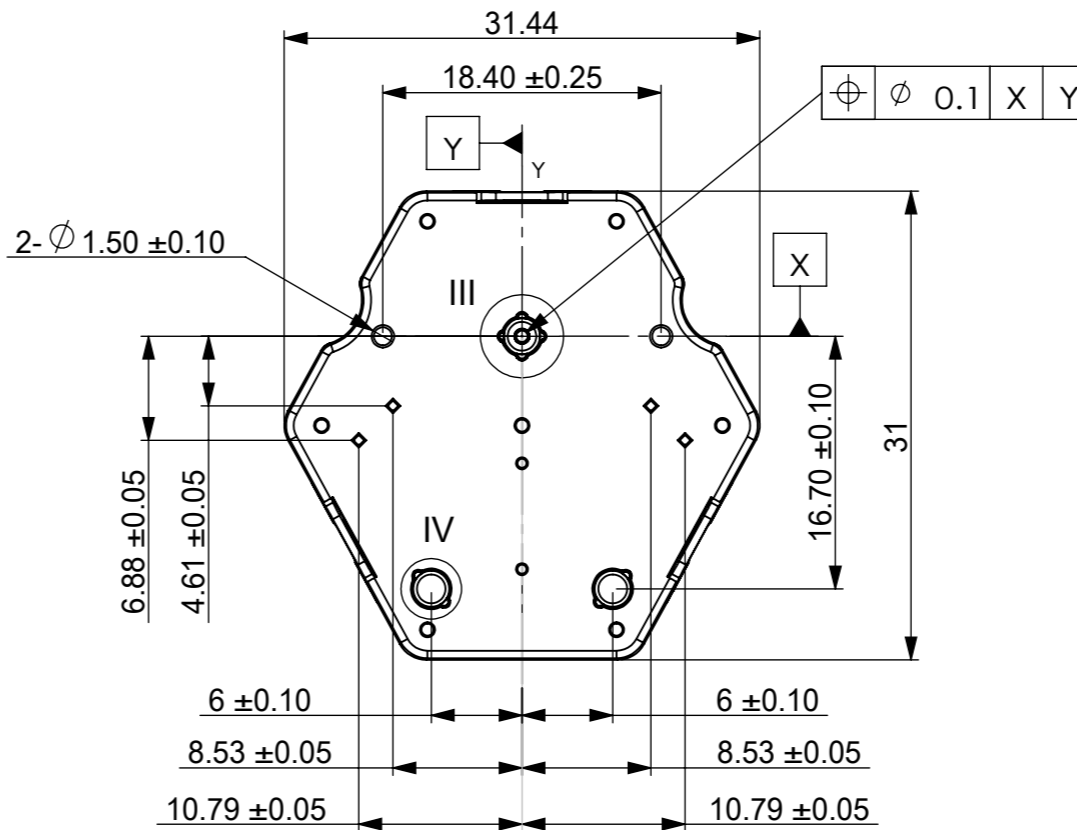
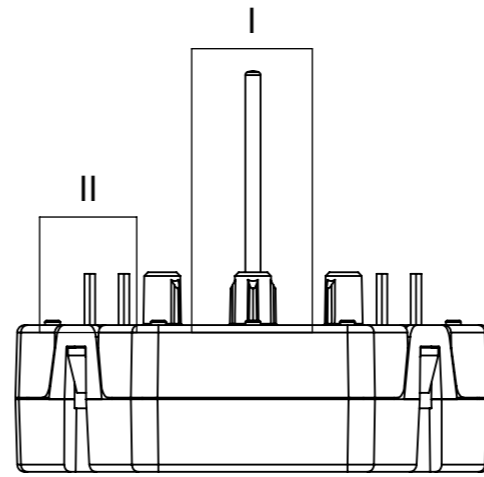


VIEW I
SCALE 4 : 1

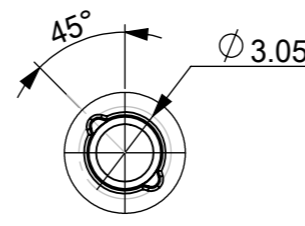


VIEW II
SCALE 4 : 1

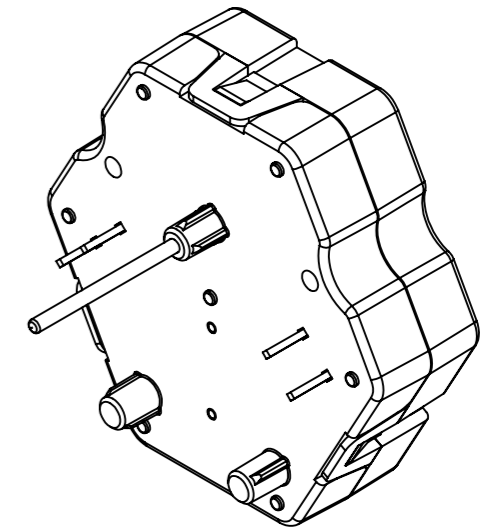
□ 0.5 pin
3.1 ± 0.2
0.30



VIEW III
SCALE 4 : 1



VIEW IV
SCALE 4 : 1



SPECIFICATIONS :

Housing:
-Material: PC
-Colour: Black

Shaft :
- Material : Stainless Steel
- Axial force (stake-on) : 130N
- Axial pull out force : 70N
- Radial force : 12N
- External torque : 30 mNm max.
- Rotational Angle : 315 max.

Electric Properties :
- Electric pin : Tin plated CP wire

Drawing No.	VID38-05	Revision	A0	Material		Date of Issue	2022.05.18
Product/Part Name	Stepper Motor	Product/Part No.	VID38-05	JDE No.		Size	A3
Project Title	VID38-05	Unit	mm	Approve by		Tolerance unless specified Dimension in mm x.x = +/- 0.10 x.xx = +/- 0.03 Angle in degree x.x = +/- 1° x.xx = +/- 0.5°	