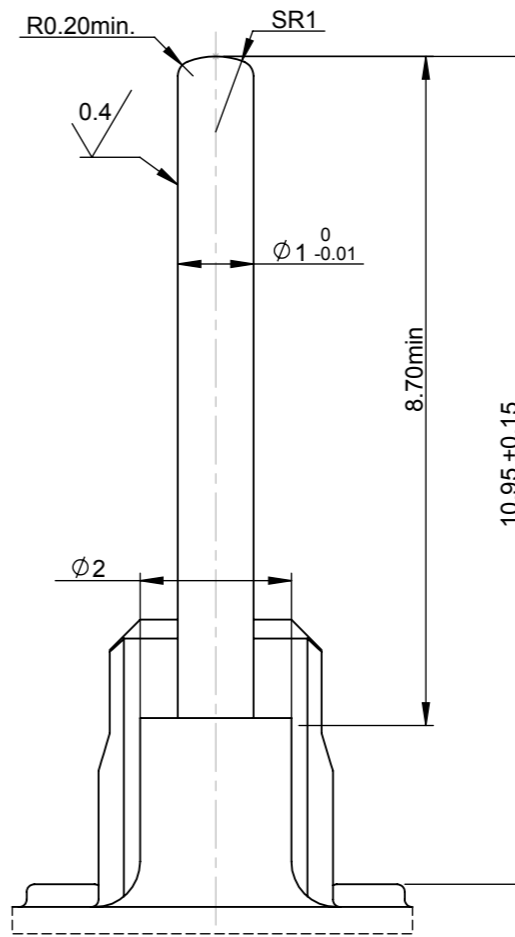
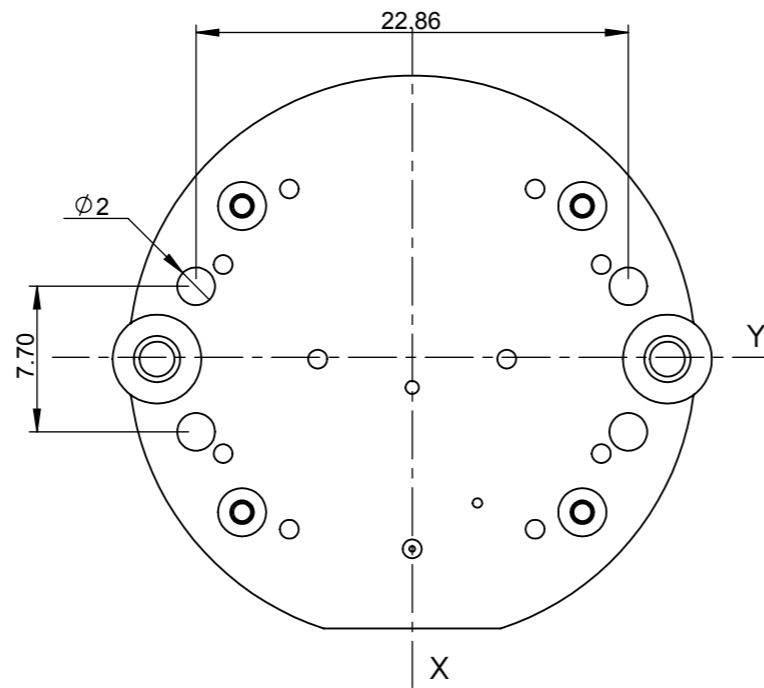
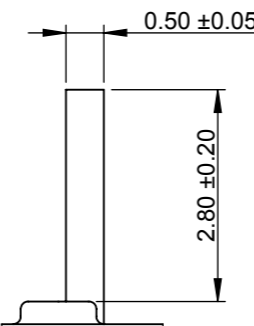
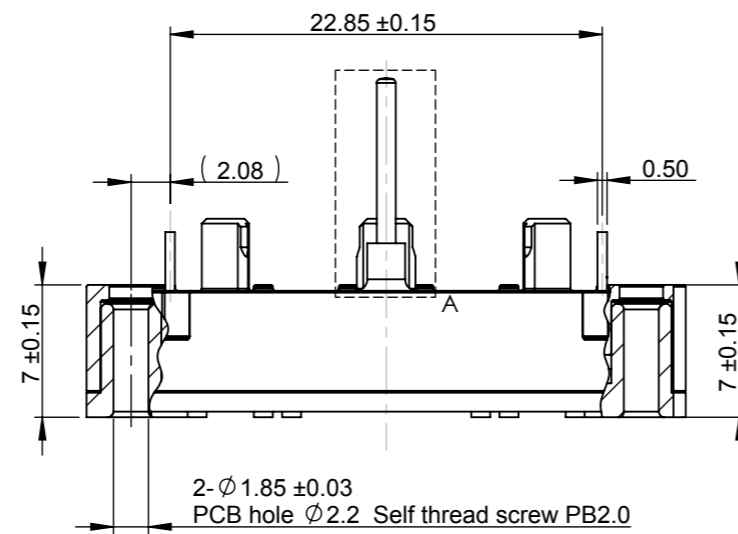
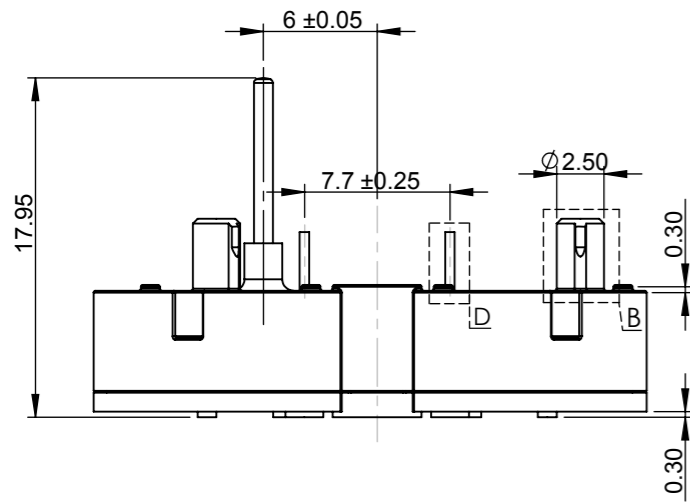


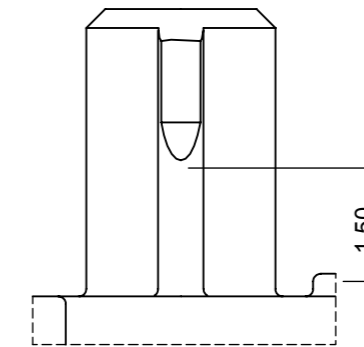
C (10:1)



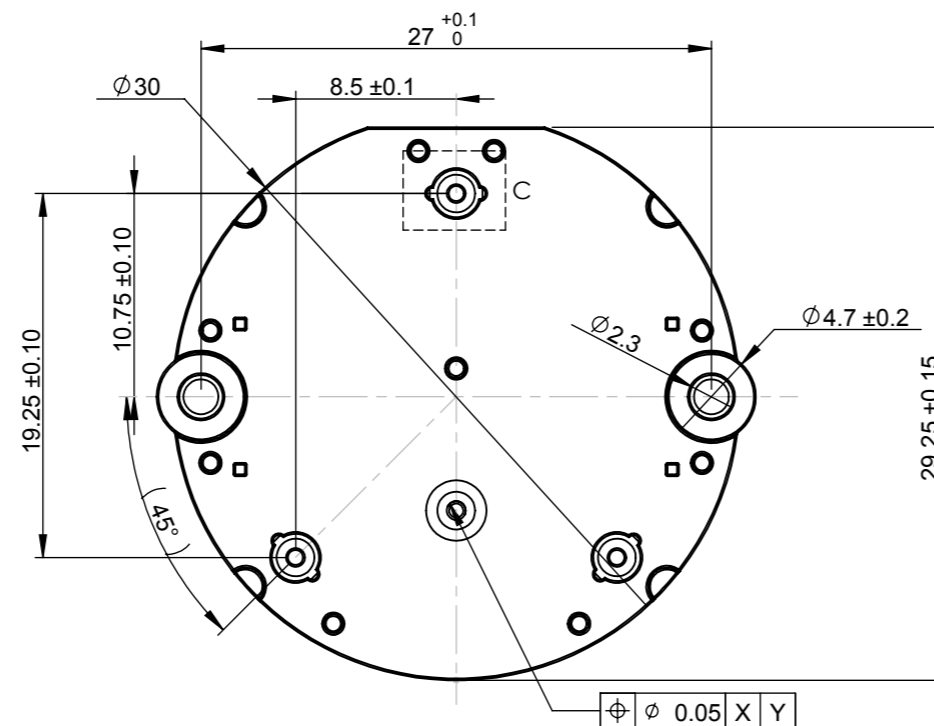
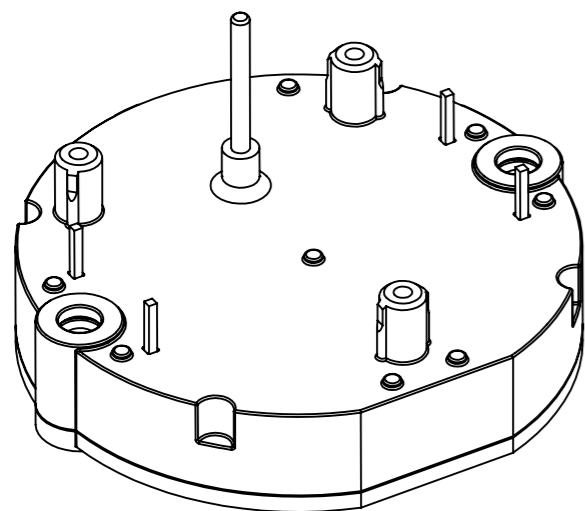
A (10:1)



D (10:1)



B (10:1)



SPECIFICATIONS:

Housing:
 -Material:PC
 -Colour:Black
 -Hold force clips:85N max

Shaft:
 -Material:Stainless Steel
 -Axialforce(stake-on):150N max
 -Axial pull force:70N max
 -Radial force:12N max
 -External Torque: 40mNm Max
 -Rotation Angle:315° max

El confaces
 -Material:Copper Alloy
 -Coil:el.resistance 280Ω
 Undim.Radio R0.05~R0.10
 Undim.Chamfered edges 0.30×45°

Drawing No.	VID29-05	Revision	A0	Material		Date of Issue	2022.05.18
Product/Part Name	Stepper Motor	Product/Part No.	VID29-05	JDE No.		Size	A3
Project Title	VID29-05	Unit	mm	Approve by			
						Tolerance unless specified Dimension in mm x.x = +/- 0.10 x.xx = +/- 0.03 Angle in degree x.x = +/- 1° x.xx = +/- 0.5°	