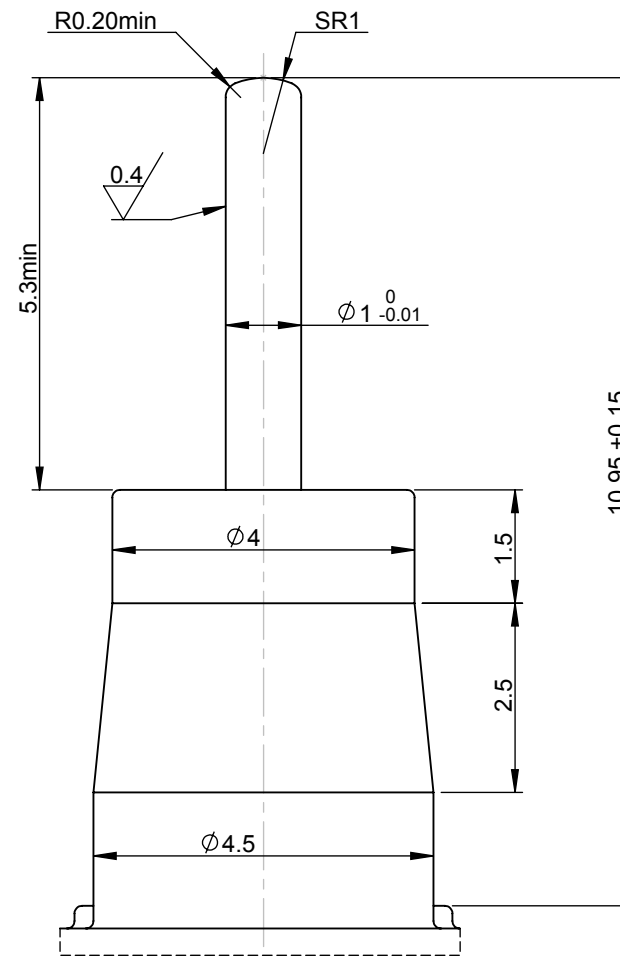
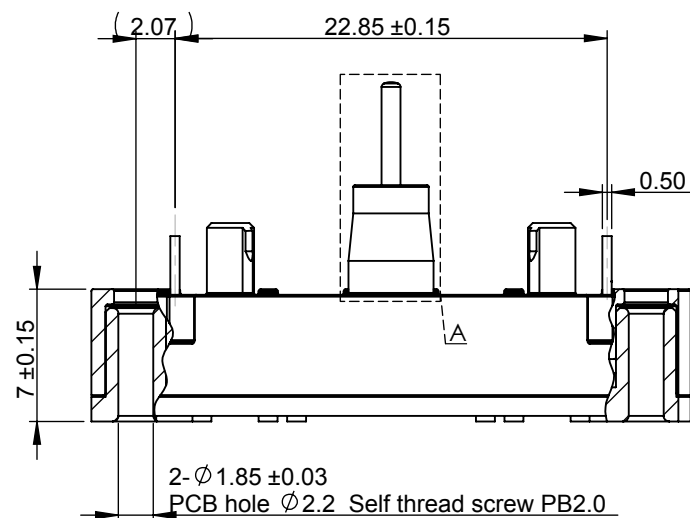
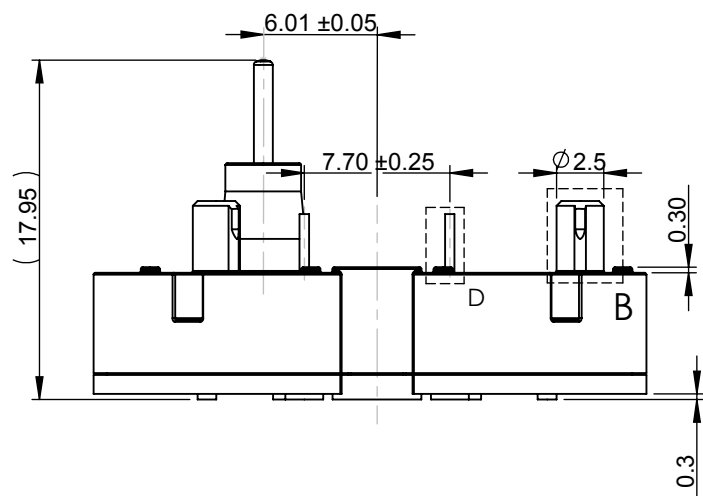
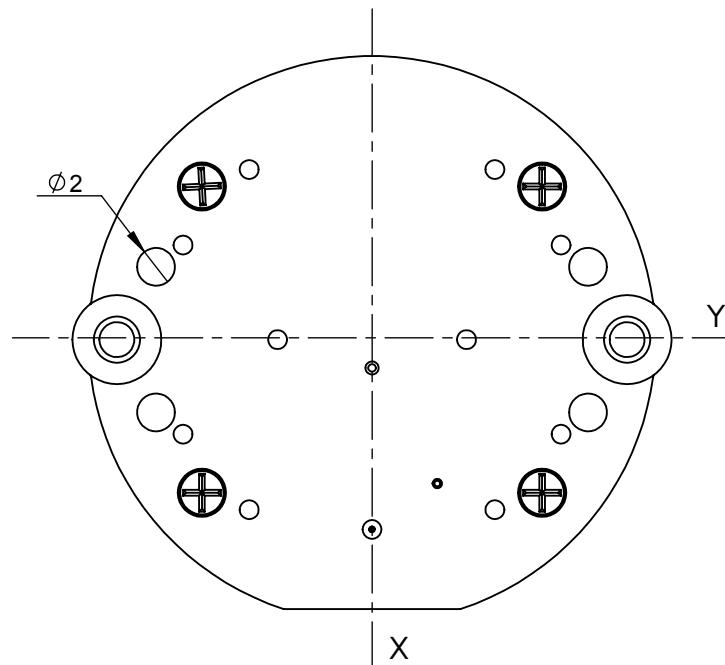
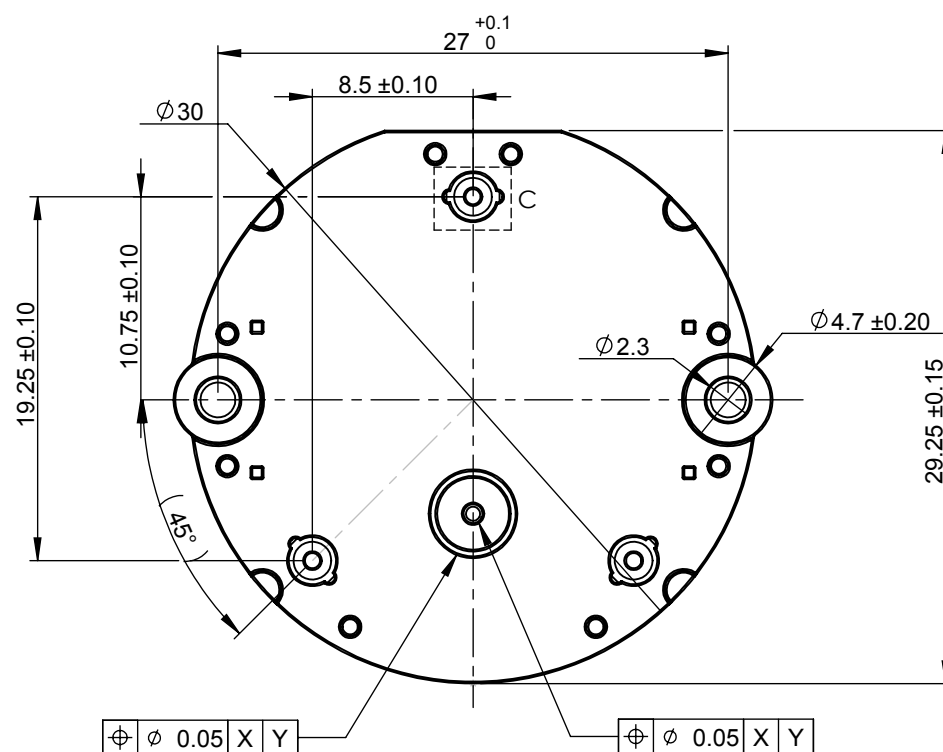
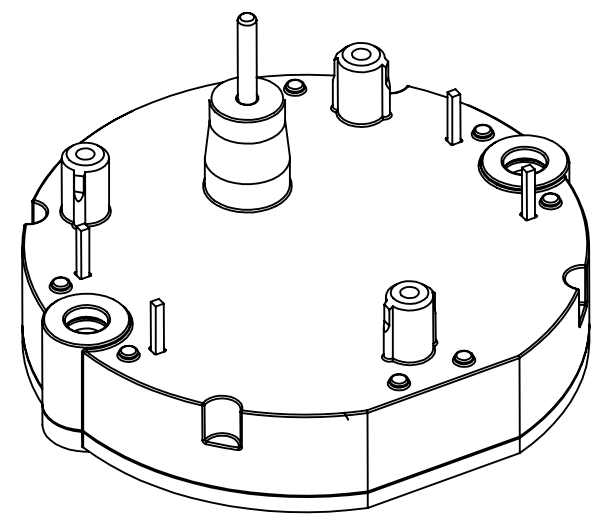
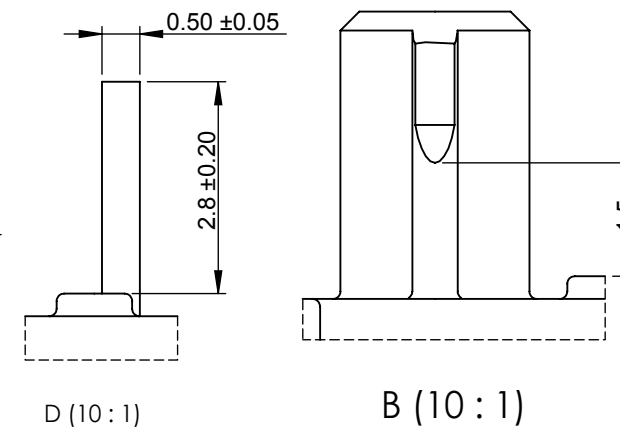


C (10 : 1)



局部视图 A
比例 10 : 1



SPECIFICATIONS:

Housing:
 -Material:PC
 -Colour:Black
 -Hold force clips:85N max

Shaft:
 -Material:Stainless Steel
 -Axialforce(stake-on):150N max
 -Axial pull force:70N max
 -Radial force:12N max
 -External Torque: 40mNm Max
 -Rotation Angle:315° Max

EI contacts
 -Material:Copper Alloy
 -Coil:el.resistance 280Ω
 -Undim.Radio R0.05~R0.10
 -Undim.Chamfered edges 0.30x45°

Drawing No. VID29-06	Revision A0	Material	Date of Issue 2022.05.18
Product/Part Name Stepper Motor	Product/Part No. VID29-06	JDE No.	Size A3
Project Title VID29-06	Unit mm	Approve by	
 Hong Kong VID Company Limited		Tolerance unless specified Dimension in mm x.x = +/- 0.10 x.xx = +/- 0.03 Angle in degree x.x = +/- 1° x.xx = +/- 0.5°	