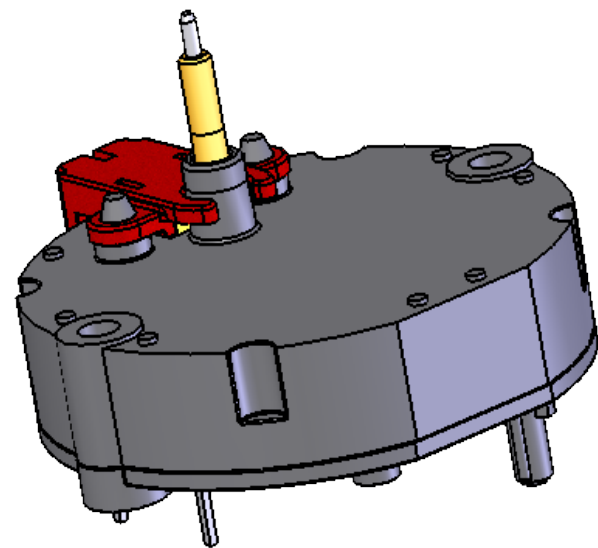
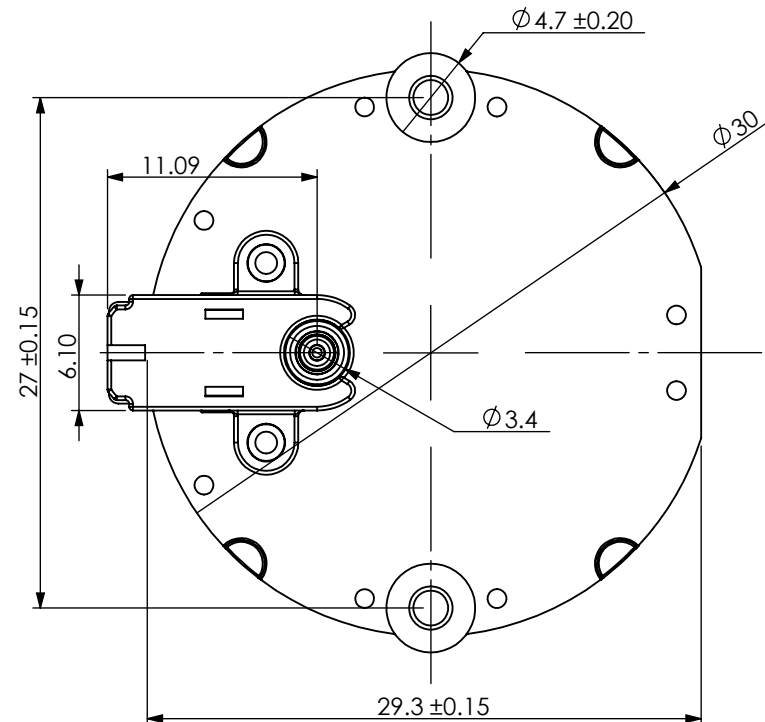
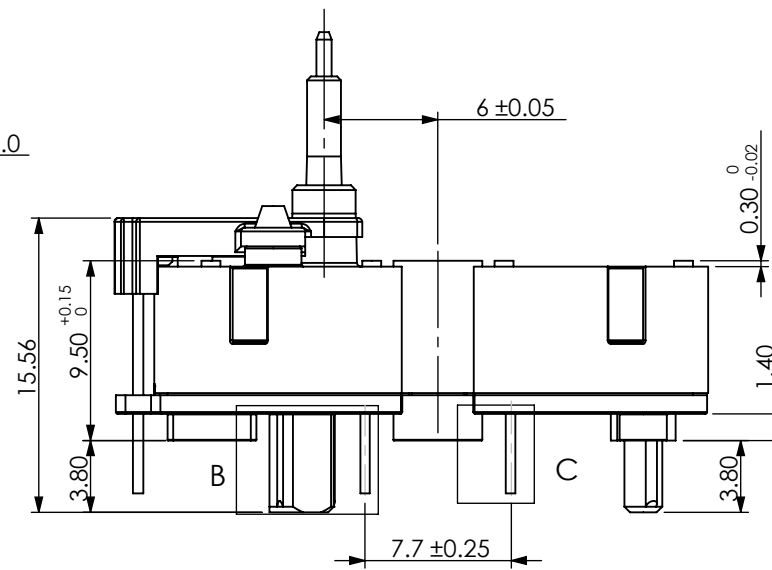
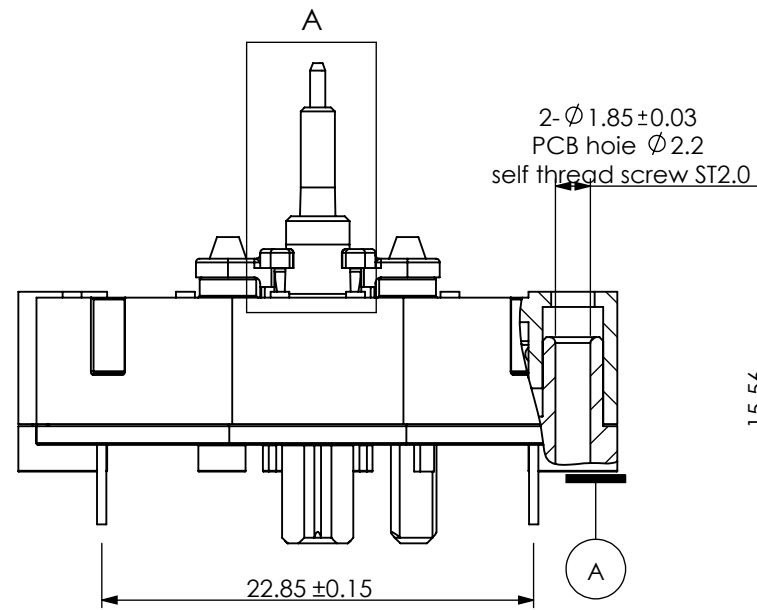


Swing (mm), speed of 66Hz	minute shaft	hour shaft
	Typ.	C1
Max.	0.25	0.25
	0.40	0.40



### SPECIFICATIONS:

Housing:  
-Material:PC  
-Colour:Black  
-Hold force clips:85N max

Minitue Shaft:  
-Material:Stainless Steel  
-Axialforce(stake-on):150N max  
-Axial pull force:70N max  
-Radial force:12N max

Hour Shaft:  
-Material:PC  
-Axialforce(stake-on):60N max  
-Axial pull force:60N max  
-Radial force:5N max

El confaces  
-Material:Copper Alloy  
-Coil:el.resistance 260 $\Omega$   
Undim.Radio R0.05~0.10  
Undim.Chamfered edges  
0.30 $\times$ 45 $^\circ$

Drawing No.	VID60-02	Revision	A0	Material		Date of Issue	2022.05.18
Product/Part Name	Clock Motor	Product/Part No.	VID60-02	JDE No.		Size	A3
Project Title	VID60-02	Unit	mm	Approve by		Tolerance unless specified Dimension in mm x.x = +/- 0.10    x.xx = +/- 0.03 Angle in degree x.x = +/- 1 $^\circ$ x.xx = +/- 0.5 $^\circ$	
				Hong Kong VID Company Limited			